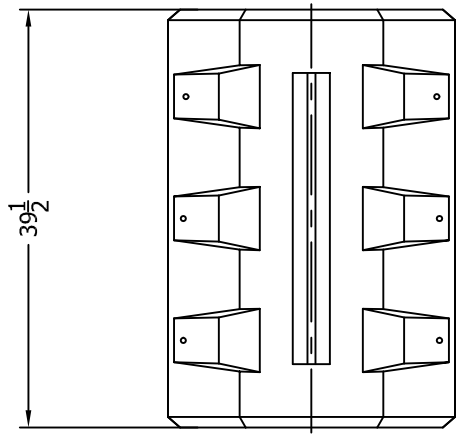
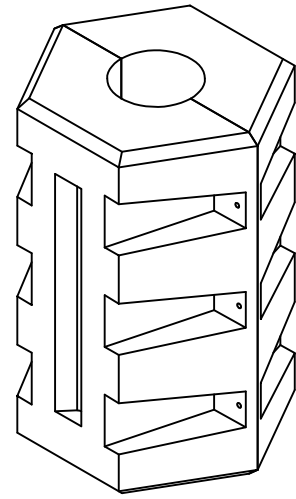
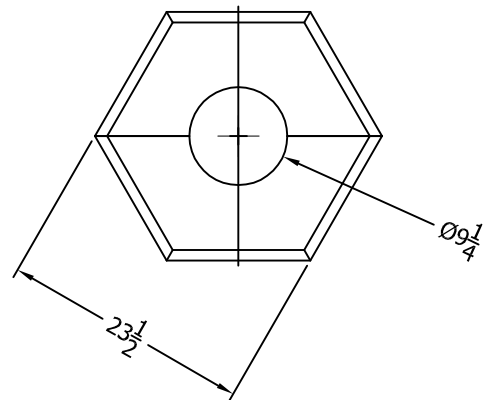


JOB		REV		DESCRIPTION		DATE	APPROVED



DRAWN	JHN	DATE	1/22/16	DIVERSIFIED PLASTICS, INC		
CHECKED				CP-9R COLUMN PROTECTOR		
QA				REV	DESCRIPTION	REV
				D	D-3431-6	
APPROVED				SCALE	1:7	SHEET

