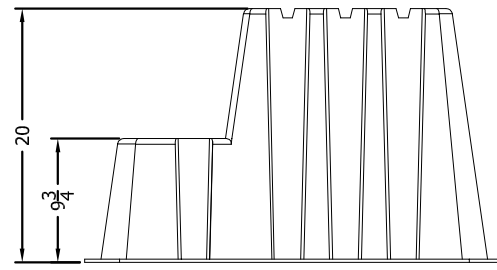
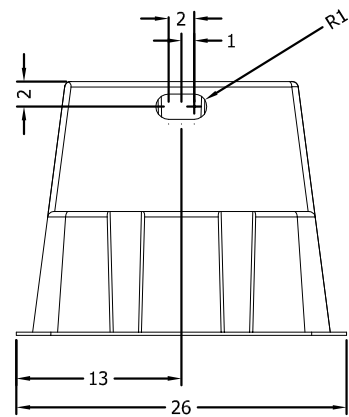
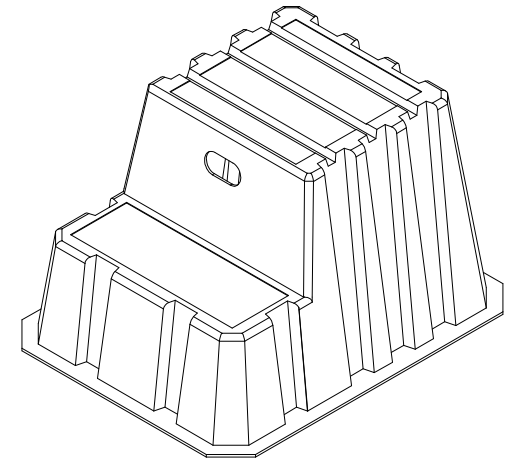
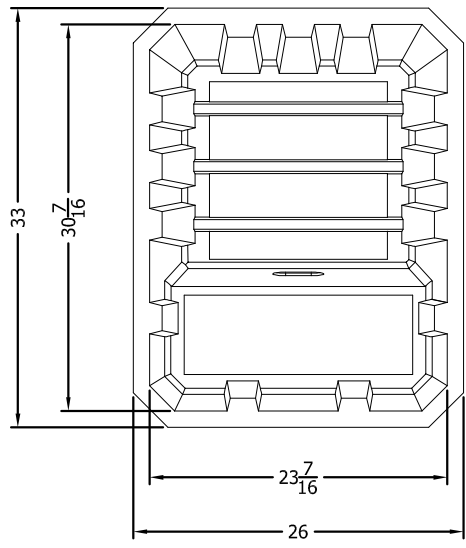


JOB		REV	DESCRIPTION	DATE	APPROVED
REVISION					



DRAWN JHN	DATE 10/22/14	DIVERSIFIED PLASTICS, INC.			
	CHECKED		NST-2 NESTABLE 2 STEP		
QA		REV	DESCRIPTION	SHEET	REV
APPROVED		D	D-3342.1-8		
SCALE		SHEET			