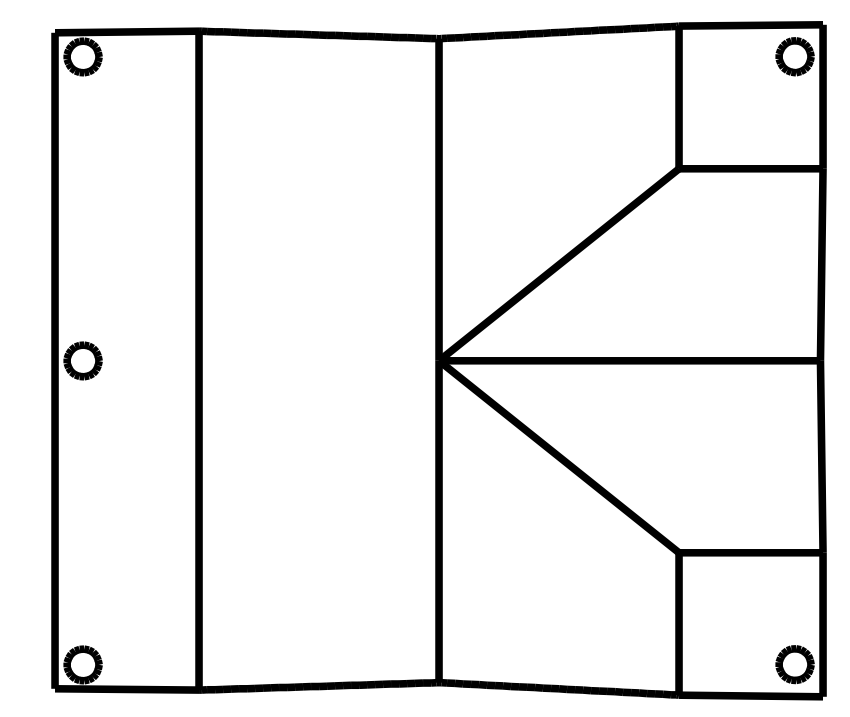
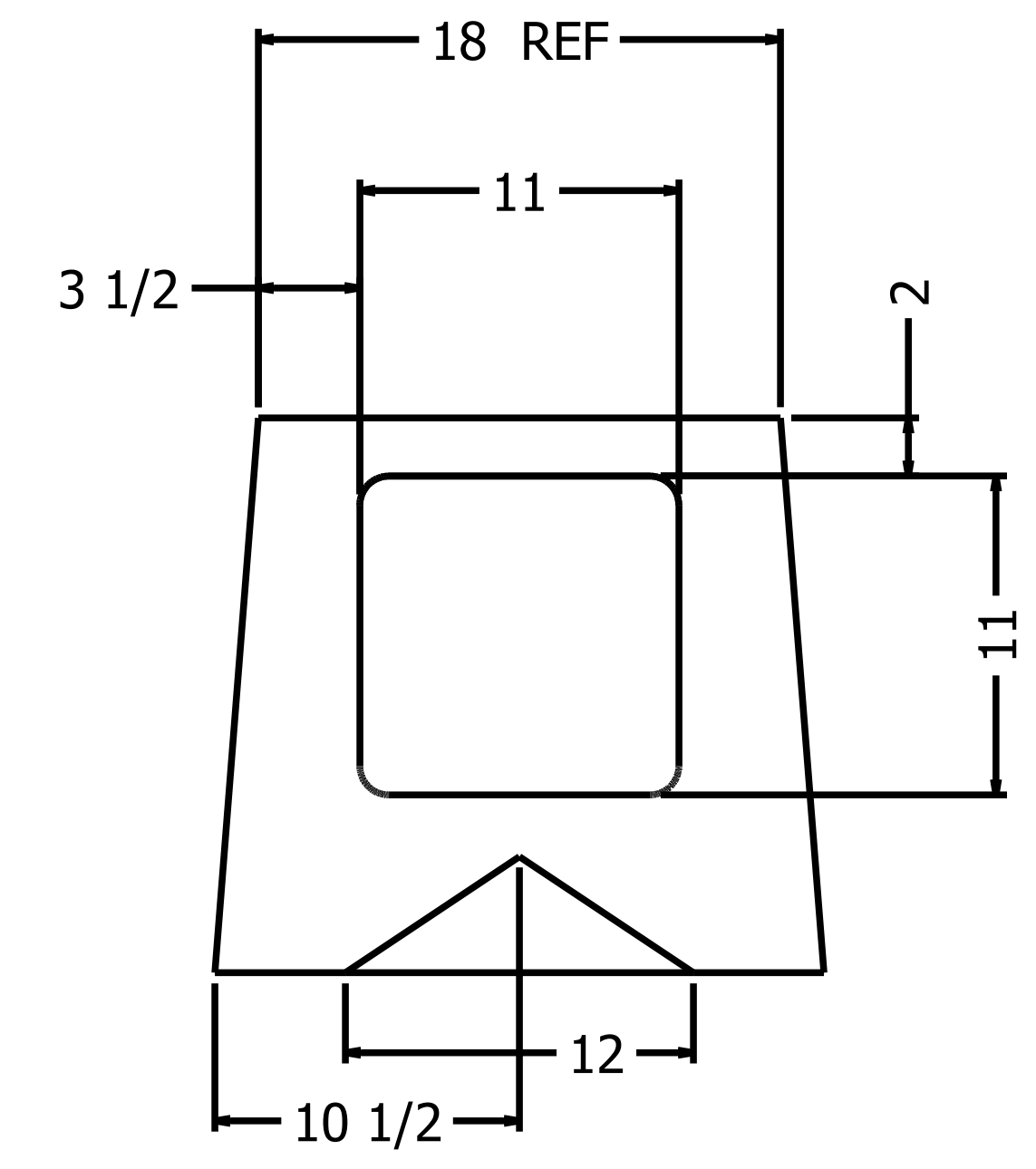
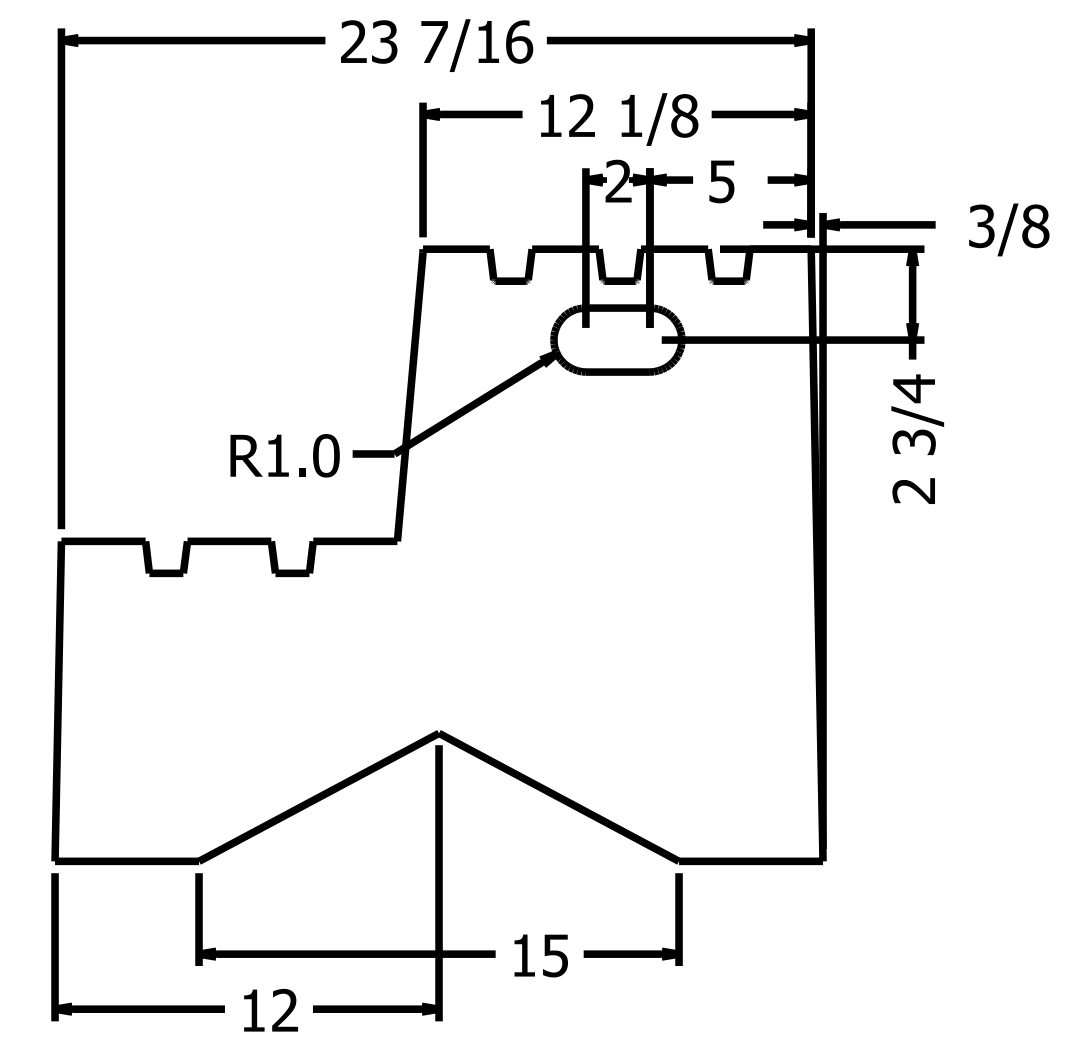
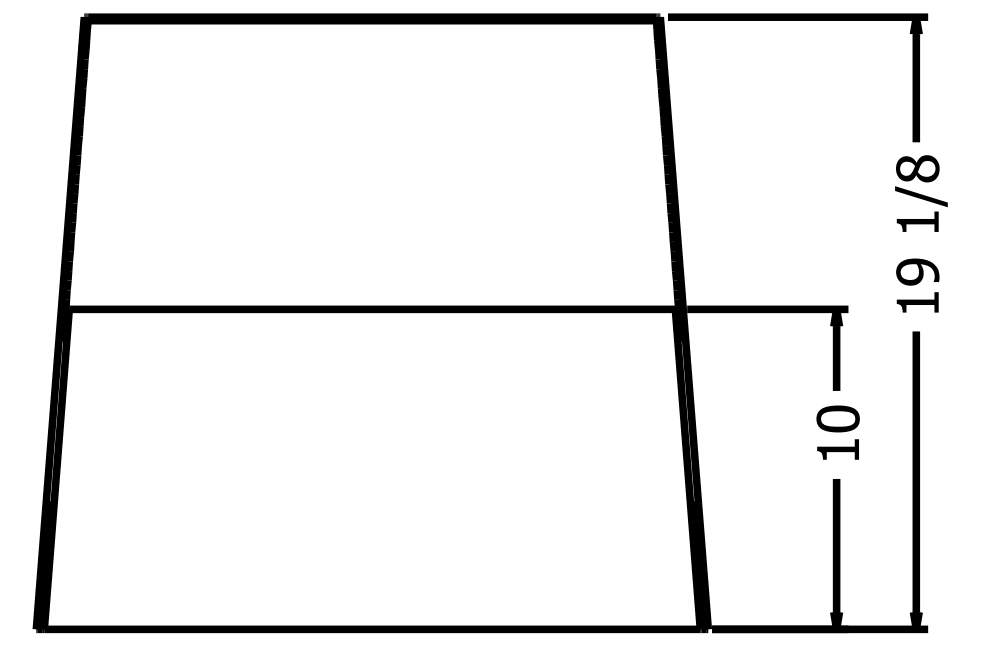
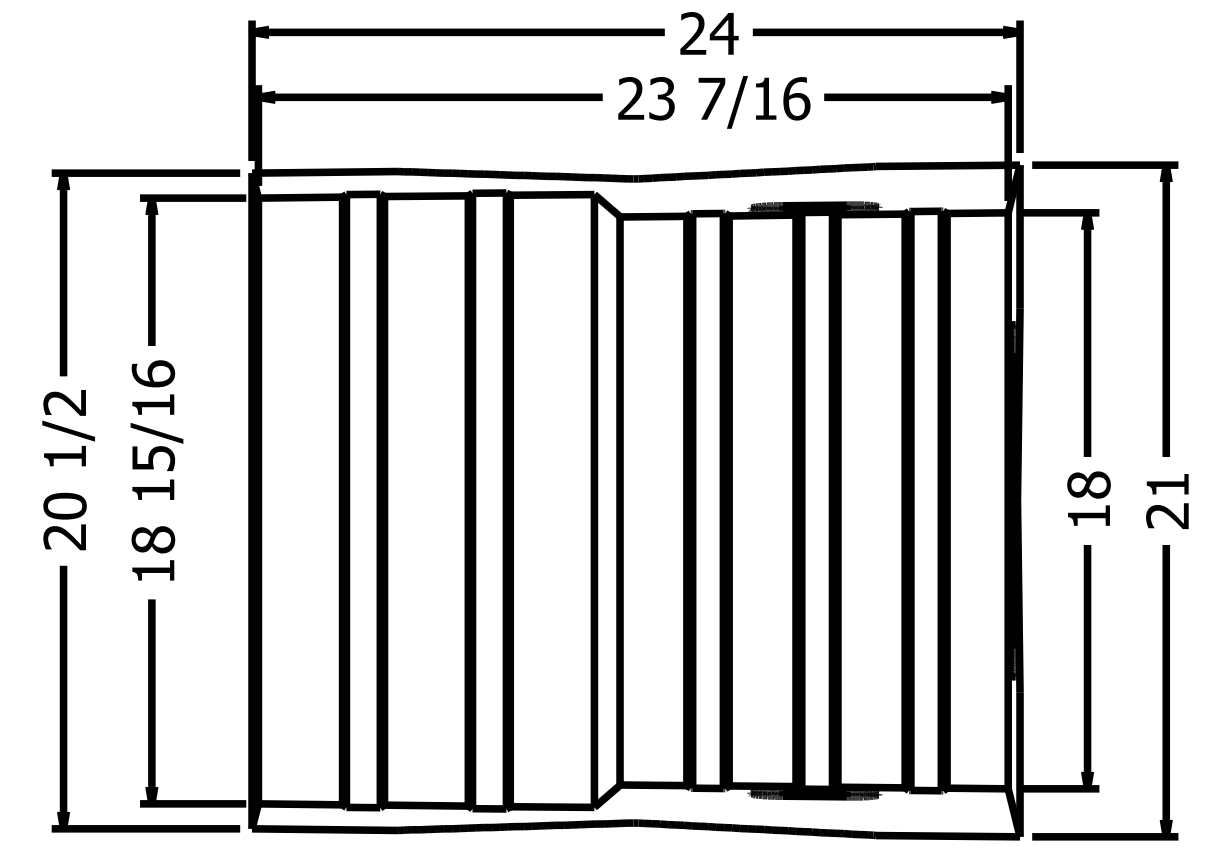
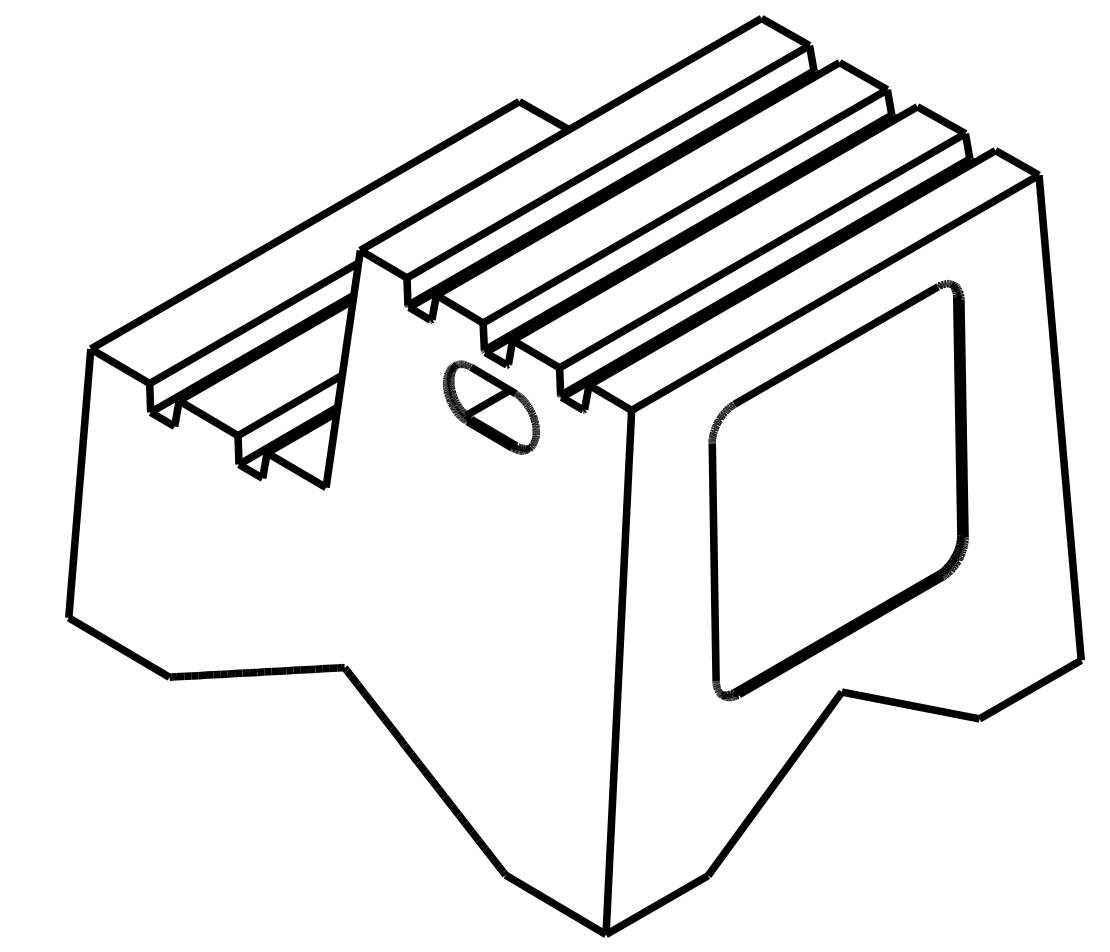


REVISIONS				
ZONE	REV	DESCRIPTION	DATE	APPROVED



PART WEIGHT: 16.0 LBS.

DRAWN	JHN	DATE	7/23/14	DIVERSIFIED PLASTICS, INC.	
	CHECKED				
QA				ST217, TWO STEP	
MFG					
APPROVED		SIZE	D	FSCM NO.	DWG NO.
		SCALE	1:7		D-3321.A-7
				SHEET	